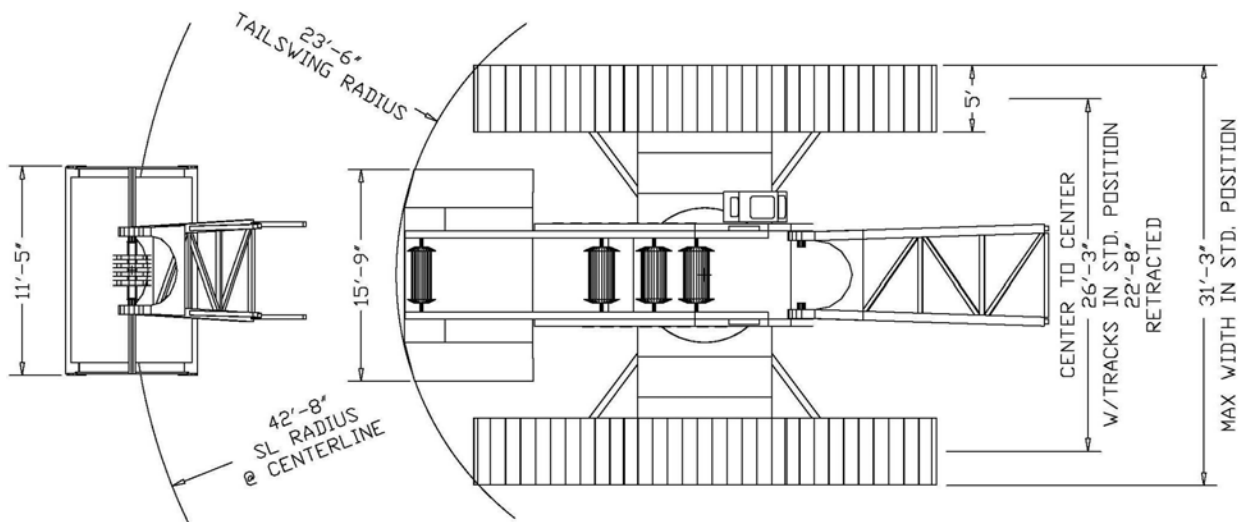
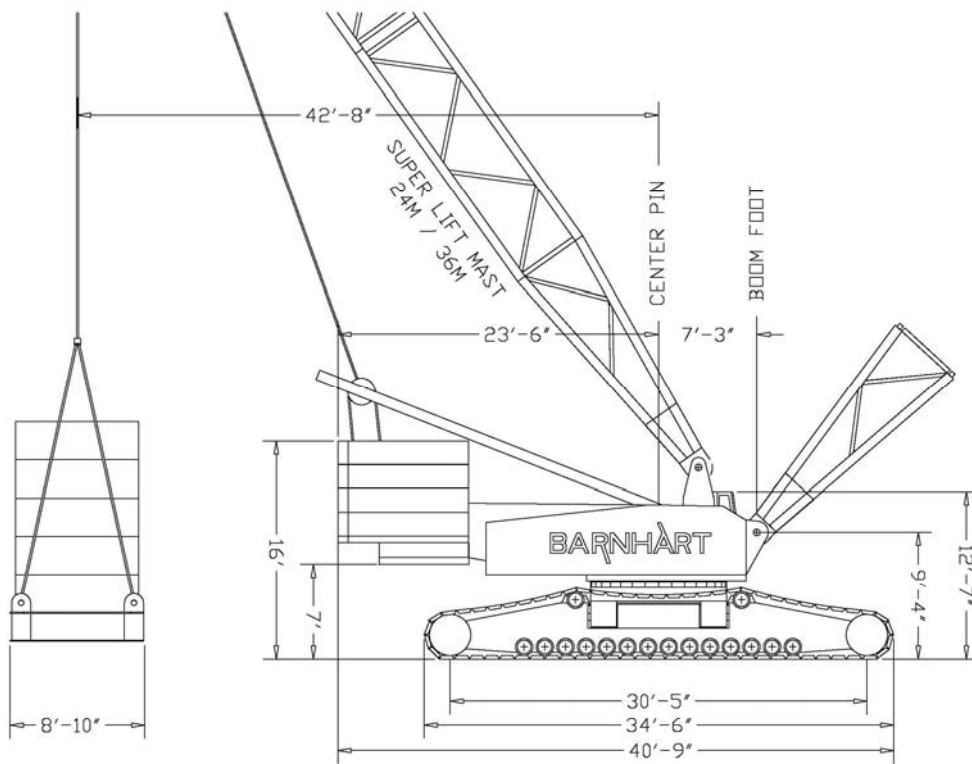


Demag CC2000

440T



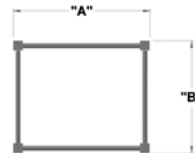
Demag CC2000

440T

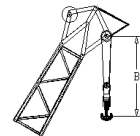
Component Weights	
Weight of counterweighted Machine with 39' (12m) boom	609,300 lbs
Superstructure only (with 4 drums, boom foot section and mast)	105,000 lbs
Carbody	56,560 lbs
Crawler side frame with track (two each)	84,000 lbs
Basic Counterweight	264,550 lbs

Cables		
	Line Pull	Diameter
Main Hoist	27,557 lbs	28 mm
Aux Hoist	20,282 lbs	26 mm

Boom		
	"A"	"B"
Main	7'-7"	6'-0"
Luffer	5'-0"	4'-2"
Mast	7'-7"	6'-0"



Hook-Block			
Capacity	Number of Sheaves	Weight	"B"
330T	14	11,243 lbs	11'
275T	12	8,378 lbs	10'
122T	6	4,938 lbs	8'
35T	1	2,557 lbs	6'



Boom Erection		
Main Boom	Luffing Jib	Requirement
39' to 295'	none	Over front
59' to 236'	up to 177'	Over front
256'	98' to 177'	Auxilliary crane required

Symbols & Notes



Crawler Crane



Truck Crane



Ring Mounted Crane



Main Counterweight



Main Boom



Main Boom with Luffing Jib



Tower Configuration



Superlift Attachment with Tray

General Use Notes

1. Capacity charts represent capacities for normal use. Additional load cases, special configurations and engineered lifts are available. Consult Barnhart engineering.
2. All cranes have wind speed restrictions available in the operating manual.
3. Capacities assume level and suitable ground conditions
4. Load block, rigging and other lifting devices are considered part of the lifted load.
5. Some long boom configurations require an assist crane for erection. Consult Barnhart.

Demag CC2000




26'



132 Tons



Lift Capacity (Tons)							
Main Boom (ft)							
Lift Radius (ft)	39'	59'	79'	98'	118'	138'	157'
20	330.7	330.7	-	-	-	-	-
23	313.1	310.9	308.6	305.3	259.0	-	-
26	277.8	275.6	273.4	272.3	239.2	223.8	-
30	242.5	241.4	239.2	238.1	222.7	209.4	197.3
33	211.6	210.5	209.4	209.4	207.2	197.3	187.4
39	157.6	156.5	155.4	154.3	153.2	153.2	152.1
46	-	124.6	123.5	122.4	121.3	120.2	119.0
52	-	102.5	101.4	100.3	99.2	98.7	97.6
59	-	87.1	86.0	84.9	83.8	83.2	81.6
66	-	-	73.9	73.3	72.2	71.7	70.0
72	-	-	65.0	64.5	63.4	62.8	60.6
79	-	-	-	57.3	56.2	55.1	54.0
85	-	-	-	51.8	50.2	49.6	48.0
92	-	-	-	46.8	45.2	44.1	43.0
98	-	-	-	-	41.3	40.2	38.6
112	-	-	-	-	-	34.2	32.0
125	-	-	-	-	-	28.7	27.6
138	-	-	-	-	-	-	23.1

Lift Capacity (Tons)							
Main Boom (ft)							
Lift Radius (ft)	177'	197'	216'	236'	256'	276'	295'
30	174.2	-	-	-	-	-	-
33	166.4	145.5	120.2	99.2	86.5	-	-
39	151.0	135.6	112.4	92.4	79.7	67.6	55.3
46	118.5	117.9	105.8	86.5	73.9	62.2	49.6
52	97.0	96.5	94.8	80.7	69.0	57.3	45.2
59	81.0	80.5	79.4	75.8	64.2	53.5	41.8
66	69.4	68.9	67.8	67.2	60.3	49.6	38.4
72	60.6	59.5	58.4	57.9	56.8	46.2	35.9
79	52.9	52.4	51.3	50.7	49.6	42.8	33.5
85	47.4	46.3	45.2	44.6	43.0	39.8	31.5
92	42.4	41.3	40.2	39.7	38.6	37.5	28.8
98	38.0	37.5	36.4	35.3	34.2	33.6	27.9
112	31.4	30.9	29.8	28.7	27.6	27.0	25.2
125	26.5	25.9	24.8	23.7	22.6	21.5	20.9
138	22.6	22.0	20.4	19.3	18.2	17.1	16.0
151	19.3	18.7	17.1	16.0	14.9	13.8	13.2
164	-	15.4	14.3	13.2	12.1	11.0	9.9
177	-	13.8	12.1	11.0	9.9	8.8	7.7
190	-	-	9.9	8.8	7.7	7.2	6.6
203	-	-	-	7.2	6.1	5.5	-
217	-	-	-	-	4.4	4.4	-

Demag CC2000



23'



132 Tons



Lift Capacity (Tons)							
Main Boom (ft)							
Lift Radius (ft)	39'	59'	79'	98'	118'	138'	157'
20	220	220	-	-	-	-	-
23	199	199	199	199	199	-	-
26	184	184	184	184	184	184	-
30	172	172	172	172	172	172	172
33	151	151	150	149	149	148	148
39	115	114	113	112	112	111	110
46	-	92	91	91	90	89	88.6
52	-	77	76	75	75	73.8	73.2
59	-	66	65	64	63	63	62
66	-	-	57	56	55	54.2	53.6
72	-	-	50	49	48	48	46.9
79	-	-	-	44	43	42.2	41.5
85	-	-	-	40	39	38	37.2
92	-	-	-	36	35	34.3	33.5
98	-	-	-	-	32	31	30.4
112	-	-	-	-	-	26.3	25.6
125	-	-	-	-	-	23	21.8
138	-	-	-	-	-	-	19

Lift Capacity (Tons)					
Main Boom (ft)					
Lift Radius (ft)	177'	197'	216'	236'	256'
30	-	-	-	-	-
33	147	132	105	85	72
39	110	110	95	80	66
46	88	88	87	76	63
52	73	72	72	71	58
59	62	61	60	60	55
66	53	52	52	51	51
72	46	46	45	45	44
79	41	40	40	39	39
85	37	36	35	35	34
92	33	32	32	31	31
98	30	29	29	28	27
112	25	24	24	23	22
125	21	20	20	19	19
138	18	17	17	16	15
151	16	15	14	14	13
164	-	13	12	11	11
177	-	11	10	10	9
190	-	-	9	8	7
203	-	-	-	7	6
217	-	-	-	-	5
230	-	-	-	-	4

Demag CC2000



Main Boom	Lift Radius (ft)	Lift Capacity (Tons)						
		Luffing Jib (ft)						
		59'	79'	98'	118'	138'	157'	177'
59'	39	130.0	122.3	-	-	-	-	-
	46	123.4	114.6	101.9	84.3	-	-	-
	53	105.8	104.1	97.0	82.6	69.4	-	-
	59	87.1	89.6	89.2	80.4	67.9	55.1	-
	66	75.0	78.2	77.6	77.1	66.1	54.0	40.8
	72	-	69.1	68.6	68.0	63.9	52.9	39.6
	79	-	61.7	61.0	60.8	60.2	51.8	38.9
	85	-	55.1	55.5	54.8	54.3	50.7	38.1
	92	-	-	50.3	50.0	49.4	48.5	37.2
	98	-	-	46.3	45.8	45.3	44.9	36.3
	112	-	-	-	38.9	38.8	38.3	34.1
	125	-	-	-	34.0	33.6	33.2	31.5
	138	-	-	-	-	29.8	29.3	27.7
	151	-	-	-	-	-	25.3	24.4
164	-	-	-	-	-	-	21.7	
177	-	-	-	-	-	-	19.8	
79'	39	130.0	121.2	-	-	-	-	-
	46	125.6	115.7	99.7	65.9	-	-	-
	53	105.8	104.8	96.4	80.4	66.1	-	-
	59	90.0	89.3	89.0	79.5	65.5	52.9	-
	66	78.0	77.8	77.3	76.9	64.7	52.0	41.9
	72	-	68.7	68.4	67.9	63.7	51.5	40.7
	79	-	61.7	61.1	60.6	60.2	50.9	40.0
	85	-	55.1	55.2	54.7	54.3	49.8	39.2
	92	-	-	50.4	49.8	49.4	48.5	38.3
	98	-	-	46.4	45.7	45.3	45.0	37.4
	112	-	-	-	39.1	38.7	38.3	35.2
	125	-	-	-	34.0	33.8	33.2	32.6
	138	-	-	-	-	29.8	29.2	28.8
	151	-	-	-	-	-	25.9	25.5
164	-	-	-	-	-	-	21.7	
177	-	-	-	-	-	-	19.8	
98'	39	130.0	121.2	-	-	-	-	-
	46	126.7	115.7	95.0	64.5	-	-	-
	53	105.2	104.7	92.8	77.1	63.9	-	-
	59	89.8	89.2	88.9	76.0	63.3	51.8	-
	66	78.2	77.7	77.3	74.9	62.6	51.1	41.3
	72	-	68.6	68.3	67.6	61.7	50.7	40.3
	79	-	61.5	61.1	60.5	59.9	50.1	39.6
	85	-	55.6	55.3	54.5	54.1	49.6	38.9
	92	-	-	50.3	49.7	49.1	48.5	38.2
	98	-	-	46.3	45.5	44.9	44.8	37.4
	112	-	-	-	39.0	38.4	38.2	35.2
	125	-	-	-	34.0	33.6	33.1	32.5
	138	-	-	-	-	29.8	29.2	28.7
	151	-	-	-	-	-	25.9	25.4
164	-	-	-	-	-	-	22.8	
177	-	-	-	-	-	-	20.0	

Demag CC2000



Main Boom	Lift Radius (ft)	Lift Capacity (Tons)						
		Luffing Jib (ft)						
		59'	79'	98'	118'	138'	157'	177'
118'	39	121.3	94.8	-	-	-	-	-
	46	113.5	92.0	72.2	-	-	-	-
	53	104.6	88.4	70.3	59.0	47.4	-	-
	59	87.1	83.8	68.0	57.3	46.9	36.4	-
	66	75.0	75.0	65.3	55.7	46.0	35.8	27.0
	72	-	68.3	62.3	53.7	45.2	35.3	26.4
	79	-	61.3	59.0	51.8	44.1	34.7	25.7
	85	-	55.1	55.1	49.6	43.0	34.1	24.9
	92	-	-	50.2	47.4	41.7	33.3	24.3
	98	-	-	46.0	45.2	40.2	32.3	23.5
	112	-	-	-	38.9	37.5	30.1	22.0
	125	-	-	-	33.9	33.6	28.2	20.5
	138	-	-	-	-	30.0	26.5	19.1
	151	-	-	-	-	-	24.8	18.2
164	-	-	-	-	-	-	17.6	
177	-	-	-	-	-	-	17.0	
138'	39	-	101.4	-	-	-	-	-
	46	-	99.5	82.0	-	-	-	-
	53	-	97.8	80.1	67.2	-	-	-
	59	-	88.8	78.2	66.1	54.0	45.1	-
	66	-	77.3	76.0	65.0	53.6	44.7	36.5
	72	-	68.3	68.1	63.7	53.1	44.0	35.9
	79	-	61.1	60.9	60.2	52.1	43.6	35.3
	85	-	55.3	55.0	54.4	51.1	42.9	34.7
	92	-	-	50.1	49.4	49.0	42.2	34.1
	98	-	-	46.0	45.4	44.8	41.3	33.7
	112	-	-	-	38.9	38.2	38.0	32.5
	125	-	-	-	33.9	33.5	32.9	30.9
	138	-	-	-	-	29.6	28.9	28.5
	151	-	-	-	-	-	25.7	25.3
164	-	-	-	-	-	23.2	22.7	
177	-	-	-	-	-	-	20.0	
157'	39	-	89.2	-	-	-	-	-
	46	-	87.6	73.8	-	-	-	-
	53	-	85.6	72.0	60.1	-	-	-
	59	-	83.2	69.4	58.6	47.9	40.7	-
	66	-	77.2	67.2	48.9	47.5	40.4	34.1
	72	-	68.2	65.0	55.5	46.7	40.1	33.9
	79	-	61.0	60.6	53.7	46.0	39.9	33.7
	85	-	55.3	54.7	52.0	45.0	39.4	33.5
	92	-	-	49.9	49.4	44.0	38.9	33.2
	98	-	-	45.8	45.4	42.7	38.2	33.0
	112	-	-	-	38.9	38.2	36.3	32.1
	125	-	-	-	33.9	33.2	32.8	30.8
	138	-	-	-	-	29.6	28.8	28.4
	151	-	-	-	-	-	25.6	25.2
164	-	-	-	-	-	23.0	22.5	
177	-	-	-	-	-	-	20.0	

Demag CC2000



		Lift Capacity (Tons)						
		Luffing Jib (ft)						
Main Boom	Lift Radius (ft)	59'	79'	98'	118'	138'	157'	177'
177'	39	-	78.8	-	-	-	-	-
	46	-	77.7	63.9	-	-	-	-
	53	-	76.0	63.4	54.0	-	-	-
	59	-	71.6	62.8	53.5	45.1	38.2	-
	66	-	68.0	61.2	52.8	44.9	37.8	31.6
	72	-	64.2	59.7	51.8	44.5	37.3	31.4
	79	-	60.6	57.6	50.7	44.2	37.0	31.3
	85	-	55.0	54.7	49.6	43.6	36.7	31.1
	92	-	-	49.9	48.5	42.7	36.3	30.8
	98	-	-	45.8	45.1	41.7	35.9	30.6
	112	-	-	-	38.6	38.1	34.5	29.8
	125	-	-	-	33.6	33.1	32.5	28.8
	138	-	-	-	-	29.2	28.8	27.5
	151	-	-	-	-	-	25.7	24.9
164	-	-	-	-	-	23.1	22.2	
177	-	-	-	-	-	-	20.0	
197'	46	-	-	58.4	-	-	-	-
	53	-	-	57.0	49.0	-	-	-
	59	-	-	55.8	47.9	39.6	-	-
	66	-	-	54.8	46.8	39.4	34.1	28.8
	72	-	-	53.9	45.7	39.1	33.9	28.6
	79	-	-	52.8	44.6	38.6	33.7	28.4
	85	-	-	51.4	43.8	38.2	33.4	28.3
	92	-	-	49.9	43.1	37.8	33.1	28.1
	98	-	-	42.4	42.2	37.3	32.7	27.8
	112	-	-	-	38.6	35.9	31.8	27.3
	125	-	-	-	33.6	32.9	30.6	26.6
	138	-	-	-	-	29.1	28.6	25.7
	151	-	-	-	-	-	25.5	24.6
	164	-	-	-	-	-	23.0	22.2
177	-	-	-	-	-	-	20.0	
216'	46	-	-	51.2	-	-	-	-
	53	-	-	50.3	42.4	-	-	-
	59	-	-	48.9	41.9	36.3	-	-
	66	-	-	47.2	41.2	36.1	30.8	-
	72	-	-	45.7	40.4	35.8	30.6	25.3
	79	-	-	44.4	39.4	35.2	30.3	25.3
	85	-	-	42.8	38.1	34.6	29.9	25.2
	92	-	-	41.2	37.0	33.8	29.5	25.0
	98	-	-	39.6	35.8	33.0	29.1	24.8
	112	-	-	36.9	33.6	31.3	27.8	24.1
	125	-	-	-	31.1	29.1	26.5	23.3
	138	-	-	-	-	27.0	25.2	22.4
	151	-	-	-	-	-	23.8	21.4
	164	-	-	-	-	-	22.2	20.3
177	-	-	-	-	-	-	19.1	

Demag CC2000



		Lift Capacity (Tons)						
		Luffing Jib (ft)						
Main Boom	Lift Radius (ft)	59'	79'	98'	118'	138'	157'	177'
236'	46	-	-	42.9	-	-	-	-
	53	-	-	38.4	37.4	-	-	-
	59	-	-	41.9	37.3	31.9	-	-
	66	-	-	41.3	37.0	31.4	26.8	-
	72	-	-	40.7	36.5	30.8	26.5	22.2
	79	-	-	40.1	35.9	30.3	26.3	22.1
	85	-	-	39.4	35.2	29.7	26.1	22.0
	92	-	-	38.8	34.6	29.2	25.0	22.0
	98	-	-	38.1	33.6	28.6	25.6	22.0
	112	-	-	36.7	32.5	28.1	25.2	21.8
	125	-	-	-	31.0	27.5	24.8	21.3
	138	-	-	-	-	27.0	24.3	20.9
	151	-	-	-	-	-	23.9	20.2
164	-	-	-	-	-	23.4	19.7	
177	-	-	-	-	-	-	19.0	
256'	53	-	-	36.9	31.9	-	-	-
	59	-	-	36.4	31.7	27.0	-	-
	66	-	-	35.9	31.3	26.7	23.1	-
	72	-	-	35.4	30.9	26.4	23.0	19.5
	79	-	-	34.9	30.3	26.2	22.9	19.5
	85	-	-	34.0	29.8	25.7	22.8	19.4
	92	-	-	33.2	29.2	25.3	22.5	19.2
	98	-	-	32.0	28.2	24.8	22.3	19.1
	112	-	-	30.8	27.0	24.0	21.8	18.7
	125	-	-	-	25.6	23.1	21.1	18.2
	138	-	-	-	-	22.1	20.3	17.7
	151	-	-	-	-	-	19.5	17.0
	164	-	-	-	-	-	18.6	16.3
177	-	-	-	-	-	-	15.5	

Demag CC2000



26'



132 Tons



13m



Boom Length (ft)	Lift Radius (ft)	Lift Capacity (Tons)								
		Superlift Ballast (Tons)								
		0 T	44 T	77 T	110 T	143 T	160 T	176 T	193 T	209 T
79'	30	249.1	296.5	329.6	330.7	-	-	-	-	-
	33	221.6	266.8	297.6	325.2	330.7	-	-	-	-
	39	169.8	222.7	249.1	275.6	300.9	314.2	327.4	-	-
	46	133.4	188.5	213.8	235.9	259.0	270.1	281.1	-	-
	52	110.2	156.5	186.3	207.2	226.0	235.9	245.8	-	-
	59	92.6	133.4	163.1	184.1	200.6	210.5	218.3	-	-
	66	80.5	115.7	142.2	164.2	180.8	184.1	-	-	-
	72	70.5	101.4	125.7	147.7	154.3	-	-	-	-
98'	30	249.1	296.5	329.6	330.7	-	-	-	-	-
	33	221.6	266.8	297.6	325.2	330.7	-	-	-	-
	39	169.8	222.7	249.1	275.6	300.9	314.2	327.4	-	-
	46	133.4	188.5	213.8	235.9	259.0	270.1	281.1	292.1	303.1
	52	110.2	156.5	186.3	207.2	226.0	235.9	245.8	255.7	265.7
	59	92.6	133.4	163.1	184.1	200.6	210.5	218.3	227.1	235.9
	66	80.5	115.7	142.2	164.2	180.8	188.5	196.2	205.0	212.7
	72	70.5	101.4	125.7	147.7	164.2	172.0	178.6	185.2	189.6
	79	62.8	90.4	112.4	133.4	149.9	157.6	163.1	164.2	-
	85	56.2	81.6	101.4	120.2	137.8	142.2	143.3	-	-
92	50.7	75.0	92.6	110.2	123.5	-	-	-	-	
118'	30	248.0	288.8	-	-	-	-	-	-	-
	33	220.5	265.7	288.8	-	-	-	-	-	-
	39	168.7	221.6	248.0	273.4	288.8	-	-	-	-
	46	132.3	187.4	212.7	234.8	256.8	269.0	280.0	288.8	-
	52	109.1	155.4	185.2	205.0	224.9	234.8	244.7	254.6	264.6
	59	91.5	132.3	162.0	181.9	199.5	208.3	217.2	227.1	234.8
	66	79.4	114.6	141.1	163.1	179.7	187.4	195.1	202.8	211.6
	72	71.7	100.3	124.6	146.6	163.1	169.8	177.5	184.1	191.8
	79	61.7	89.3	110.2	132.3	148.8	155.4	162.0	168.7	175.3
	85	55.1	80.5	100.3	119.0	136.7	143.3	148.8	155.4	160.9
	92	49.6	72.8	90.4	108.0	125.7	132.3	137.8	143.3	145.5
98	45.2	67.2	83.8	99.2	115.7	122.4	129.0	-	-	
138'	30	242.5	248.0	-	-	-	-	-	-	-
	33	212.7	248.0	-	-	-	-	-	-	-
	39	166.4	220.5	248.0	-	-	-	-	-	-
	46	132.3	186.3	211.6	233.7	248.0	-	-	-	-
	52	108.0	155.4	184.1	203.9	223.8	233.7	243.6	248.0	-
	59	91.5	131.2	160.9	180.8	198.4	207.2	216.1	224.9	233.7
	66	78.3	113.5	140.0	162.0	178.6	186.3	194.0	201.7	210.5
	72	68.3	100.3	123.5	145.5	162.0	168.7	176.4	183.0	190.7
	79	60.6	89.3	110.2	131.2	147.7	154.3	160.9	167.6	174.2
	85	54.0	79.4	99.2	117.9	135.6	142.2	147.7	154.3	159.8
	92	48.5	72.8	90.4	108.0	124.6	131.2	136.7	142.2	148.8
	98	44.1	66.1	82.7	98.1	114.6	121.3	127.9	132.3	137.8
	112	37.5	56.2	70.5	83.8	98.1	105.8	111.3	115.7	-
125	32.0	48.5	60.6	73.9	86.0	92.6	93.7	-	-	

Demag CC2000



26'



132 Tons



13m



Boom Length (ft)	Lift Radius (ft)	Lift Capacity (Tons)								
		Superlift Ballast (Tons)								
		0 T	44 T	77 T	110 T	143 T	160 T	176 T	193 T	209 T
157'	30	220.5	-	-	-	-	-	-	-	-
	33	205.0	220.5	-	-	-	-	-	-	-
	39	159.8	218.3	220.5	-	-	-	-	-	-
	46	130.1	184.1	209.4	220.5	-	-	-	-	-
	52	106.9	154.3	181.9	202.8	220.5	-	-	-	-
	59	90.4	130.1	159.8	179.7	197.3	206.1	215.0	220.5	-
	66	77.0	112.4	138.9	160.9	176.4	184.1	192.9	200.6	208.3
	72	67.2	98.1	122.4	144.4	159.8	167.6	174.2	181.9	188.5
	79	59.5	87.1	108.0	130.1	145.5	152.1	158.7	165.3	172.0
	85	52.9	78.3	98.1	116.8	133.4	140.0	146.6	152.1	158.7
	92	47.4	70.5	88.2	105.8	123.5	129.0	135.6	141.1	146.6
	98	43.0	65.0	80.5	97.0	113.5	120.2	125.7	131.2	136.7
	112	35.3	54.0	68.3	82.7	97.0	103.6	109.1	114.6	119.0
125	29.8	46.3	59.5	71.7	83.8	90.4	97.0	101.4	104.7	
138	26.5	40.8	51.8	62.8	73.9	79.4	84.9	87.1	-	
177'	30	192.9	-	-	-	-	-	-	-	-
	33	192.9	-	-	-	-	-	-	-	-
	39	154.3	192.9	-	-	-	-	-	-	-
	46	126.8	183.0	192.9	-	-	-	-	-	-
	52	105.8	153.2	180.8	192.9	-	-	-	-	-
	59	89.3	129.0	158.7	178.6	192.9	-	-	-	-
	66	76.1	111.3	137.8	159.8	175.3	183.0	191.8	-	-
	72	66.1	98.1	121.3	143.3	158.7	166.4	170.9	-	-
	79	58.4	87.1	108.0	129.0	144.4	148.8	152.1	-	-
	85	51.8	77.2	97.0	115.7	130.1	133.4	136.7	-	-
	92	46.3	70.5	88.2	104.7	117.9	121.3	123.5	-	-
	98	41.9	63.9	80.5	95.9	106.9	110.2	112.4	-	-
	112	35.3	54.0	67.2	81.6	90.4	92.6	94.8	-	-
125	29.8	46.3	58.4	70.5	77.2	79.4	81.6	-	-	
138	25.4	39.7	50.7	61.7	66.1	68.3	70.5	-	-	
197'	33	165.3	-	-	-	-	-	-	-	-
	39	149.9	165.3	-	-	-	-	-	-	-
	46	122.4	165.3	-	-	-	-	-	-	-
	52	103.6	151.0	165.3	-	-	-	-	-	-
	59	88.2	129.0	157.6	165.3	-	-	-	-	-
	66	76.1	111.3	137.8	158.7	165.3	-	-	-	-
	72	66.1	97.0	120.2	142.2	157.6	165.3	-	-	-
	79	58.4	86.0	106.9	127.9	144.4	151.0	157.6	-	-
	85	51.8	77.2	95.9	115.7	132.3	137.8	142.2	-	-
	92	46.3	69.4	87.1	104.7	121.3	124.6	127.9	-	-
	98	41.9	62.8	79.4	95.9	110.2	113.5	116.8	-	-
	112	34.2	52.9	67.2	81.6	92.6	95.9	98.1	-	-
	125	28.7	45.2	57.3	69.4	79.4	81.6	83.8	-	-
138	24.3	38.6	50.7	61.7	68.3	70.5	72.8	-	-	
151	20.9	34.2	44.1	54.0	59.5	61.7	63.9	-	-	
164	17.6	29.8	39.7	48.5	52.9	54.0	56.2	-	-	
177	15.4	26.5	35.3	43.0	46.3	47.4	48.5	-	-	

Demag CC2000



26'



132 Tons



13m



Boom Length (ft)	Lift Radius (ft)	Lift Capacity (Tons)								
		Superlift Ballast (Tons)								
		0 T	44 T	77 T	110 T	143 T	160 T	176 T	193 T	209 T
217'	33	151.0	-	-	-	-	-	-	-	-
	39	145.5	151.0	-	-	-	-	-	-	-
	46	119.0	151.0	-	-	-	-	-	-	-
	52	100.3	147.7	151.0	-	-	-	-	-	-
	59	86.0	127.9	151.0	-	-	-	-	-	-
	66	75.0	110.2	136.7	151.0	-	-	-	-	-
	72	65.0	97.0	120.2	142.2	151.0	-	-	-	-
	79	57.3	86.0	106.9	127.9	143.3	149.9	-	-	-
	85	50.7	76.1	95.9	114.6	131.2	137.8	143.3	-	-
	92	45.2	68.3	86.0	103.6	120.2	126.8	132.3	-	-
	98	40.8	62.8	78.3	94.8	111.3	116.8	120.2	-	-
	112	33.1	51.8	66.1	80.5	94.8	98.1	101.4	-	-
	125	27.6	44.1	57.3	69.4	81.6	83.8	86.0	-	-
	138	23.1	38.6	49.6	60.6	70.5	72.8	75.0	-	-
	236'	151	19.8	33.1	43.0	54.0	61.7	63.9	65.0	-
164		16.5	29.8	38.6	47.4	54.0	56.2	57.3	-	-
177		14.3	26.5	34.2	43.0	47.4	49.6	50.7	-	-
190		12.1	23.1	30.9	38.6	41.9	44.1	45.2	-	-
33		137.8	-	-	-	-	-	-	-	-
39		137.8	-	-	-	-	-	-	-	-
46		115.7	137.8	-	-	-	-	-	-	-
52		97.0	137.8	-	-	-	-	-	-	-
59		83.8	124.6	137.8	-	-	-	-	-	-
66		72.8	109.1	137.8	-	-	-	-	-	-
72		63.9	95.9	120.2	137.8	-	-	-	-	-
79		57.3	84.9	105.8	126.8	137.8	-	-	-	-
85		50.7	76.1	94.8	114.6	130.1	136.7	-	-	-
92		45.2	68.3	86.0	103.6	120.2	125.7	132.3	-	-
98		40.8	61.7	78.3	94.8	110.2	116.8	122.4	-	-
112	33.1	51.8	66.1	79.4	93.7	100.3	103.6	-	-	
125	27.6	44.1	56.2	68.3	81.6	86.0	88.2	-	-	
138	23.1	37.5	48.5	59.5	70.5	75.0	76.1	-	-	
151	18.7	33.1	43.0	52.9	62.8	65.0	67.2	-	-	
164	16.5	28.7	37.5	47.4	55.1	57.3	58.4	-	-	
177	13.2	25.4	34.2	41.9	48.5	50.7	51.8	-	-	
190	11.0	22.0	29.8	38.6	43.0	45.2	46.3	-	-	
203	9.9	19.8	27.6	34.2	37.5	39.7	40.8	-	-	

Demag CC2000



26'



132 Tons



13m



Boom Length (ft)	Lift Radius (ft)	Lift Capacity (Tons)								
		Superlift Ballast (Tons)								
		0 T	44 T	77 T	110 T	143 T	160 T	176 T	193 T	209 T
256'	39	115.7	-	-	-	-	-	-	-	-
	46	111.3	115.7	-	-	-	-	-	-	-
	52	94.8	115.7	-	-	-	-	-	-	-
	59	81.6	115.7	-	-	-	-	-	-	-
	66	70.5	106.9	115.7	-	-	-	-	-	-
	72	61.7	94.8	115.7	-	-	-	-	-	-
	79	55.1	84.9	105.8	115.7	-	-	-	-	-
	85	49.6	75.0	94.8	113.5	115.7	-	-	-	-
	92	44.1	67.2	84.9	102.5	115.7	-	-	-	-
	98	39.7	61.7	77.2	93.7	110.2	115.7	-	-	-
	112	32.0	50.7	65.0	79.4	93.7	100.3	105.8	-	-
	125	26.5	43.0	55.1	68.3	80.5	87.1	90.4	-	-
	138	22.0	37.5	48.5	59.5	70.5	76.1	78.3	-	-
	151	18.7	32.0	41.9	51.8	61.7	66.1	68.3	-	-
	164	15.4	27.6	37.5	46.3	55.1	58.4	59.5	-	-
	177	12.1	24.3	33.1	41.9	49.6	51.8	52.9	-	-
190	9.9	20.9	29.8	37.5	44.1	45.2	47.4	-	-	
203	8.8	18.7	26.5	34.2	38.6	40.8	41.9	-	-	
217	6.6	15.4	24.3	30.9	34.2	35.3	37.5	-	-	
230	5.5	14.3	22.0	27.6	29.8	32.0	33.1	-	-	
276'	39	99.2	-	-	-	-	-	-	-	-
	46	99.2	-	-	-	-	-	-	-	-
	52	91.5	99.2	-	-	-	-	-	-	-
	59	78.3	99.2	-	-	-	-	-	-	-
	66	68.3	99.2	-	-	-	-	-	-	-
	72	59.5	92.6	99.2	-	-	-	-	-	-
	79	52.9	82.7	99.2	-	-	-	-	-	-
	85	47.4	75.0	93.7	99.2	-	-	-	-	-
	92	43.0	67.2	84.9	99.2	-	-	-	-	-
	98	38.6	60.6	77.2	93.7	99.2	-	-	-	-
	112	32.0	50.7	65.0	78.3	92.6	99.2	-	-	-
	125	26.5	43.0	55.1	67.2	79.4	86.0	91.5	-	-
	138	20.9	36.4	47.4	58.4	69.4	75.0	79.4	-	-
	151	17.6	30.9	41.9	51.8	61.7	66.1	69.4	-	-
	164	14.3	27.6	36.4	45.2	55.1	59.5	60.6	-	-
	177	12.1	24.3	32.0	40.8	49.6	51.8	54.0	-	-
190	9.9	20.9	28.7	36.4	44.1	46.3	48.5	-	-	
203	7.7	17.6	25.4	33.1	39.7	40.8	43.0	-	-	
217	5.5	15.4	23.1	29.8	34.2	36.4	37.5	-	-	
230	4.4	13.2	20.9	27.6	30.9	32.0	33.1	-	-	
243	3.3	12.1	18.7	24.3	26.5	28.7	29.8	-	-	